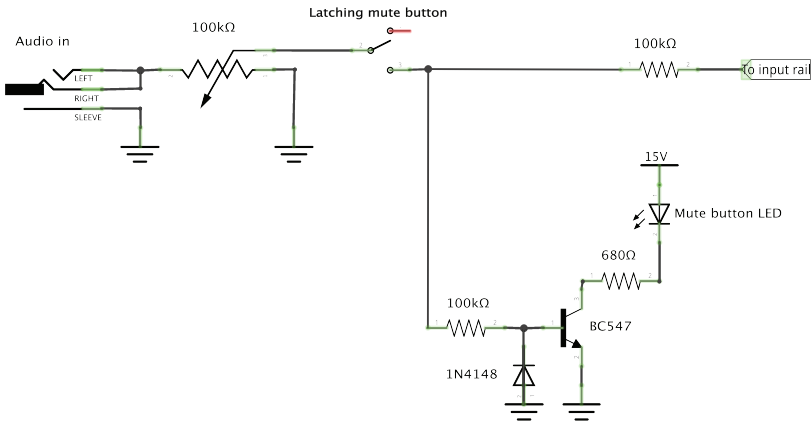
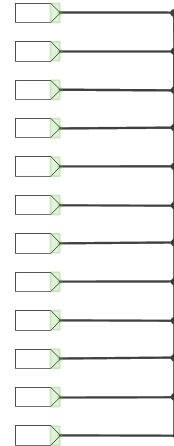


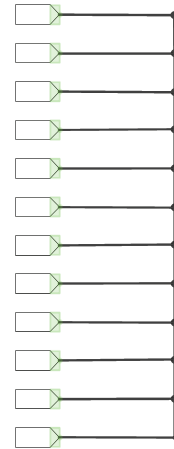
This section repeated 24 times



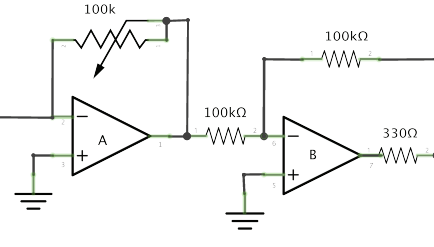
Inputs 1 to 12



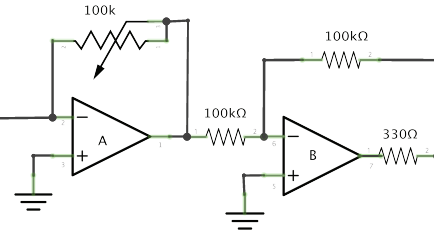
Inputs 13 to 24



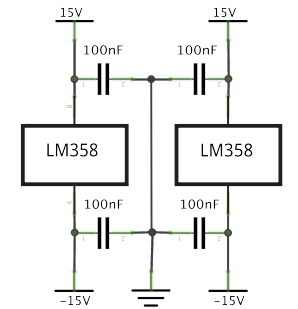
Master level dual gang pot A



Master level dual gang pot B



DPDT A  
Switches shown here are each part of one DPDT switch  
DPDT B



Implementation of Ken Stone's CGS04 & CGSLD boards. Use LM358 op amps, not TL072		
Project	24 channel mono / 12 stereo mixer	
Filename	www.nervoussquirrel.com	Rev 0
Date	24 Sep 2019	Sheet 1/1